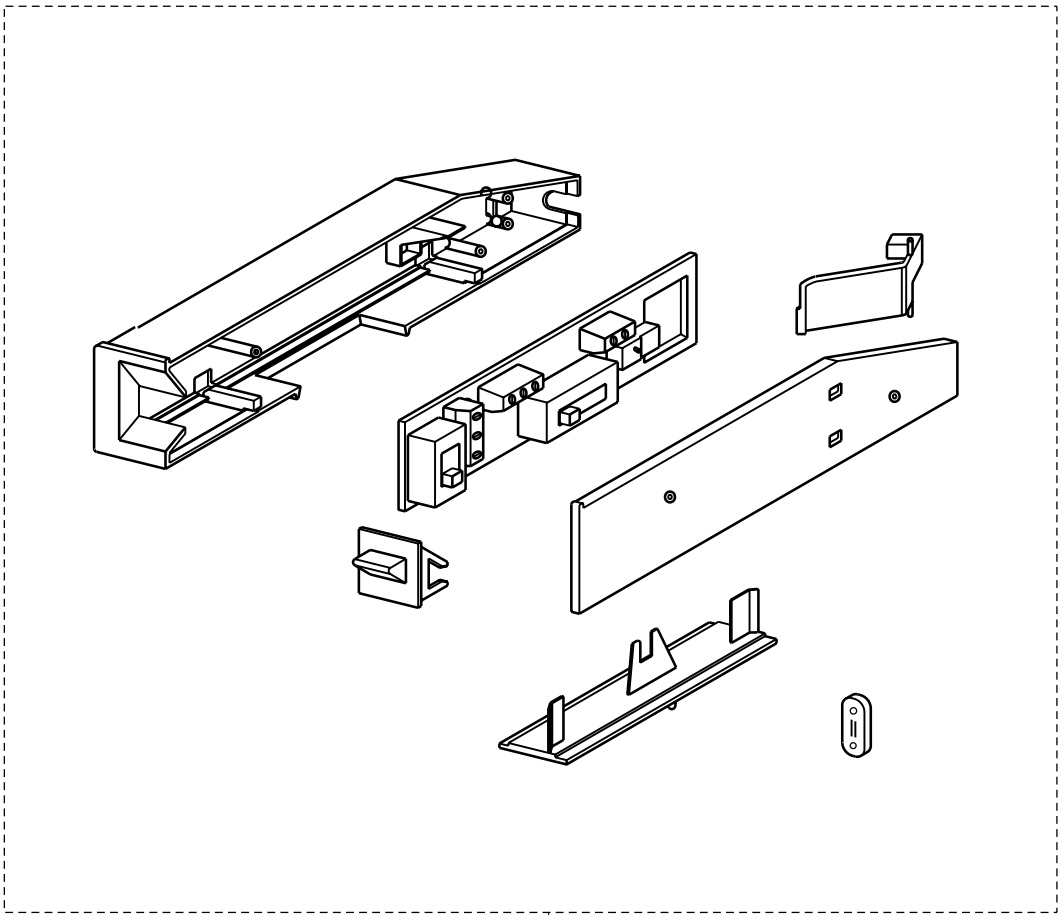
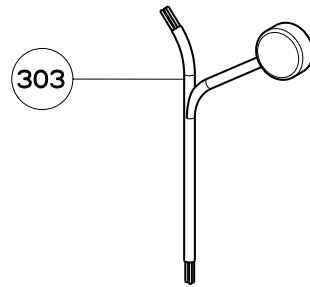


Created by W.Palazzi	
Denomination EXPLODED	
Rif.	
Modif.by tcimport	
Approved by	
Approval date	
Doc. status	
Drawing N. 11A_702	Rev 01

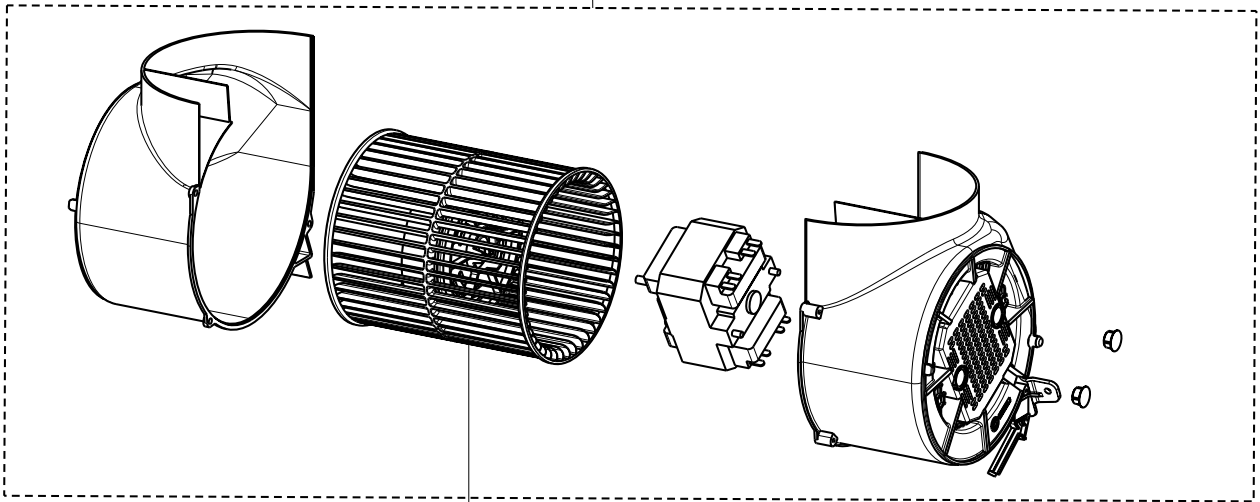


199

MOD. COM. CURSORE
RIF. 100
N.DIS. 137-715.1
DATA 15-Lug-08



399



Created by Palazzi, Walter	
Denomination D17 700 K33	
Rif. 300	
Modif.by Palazzi, Walter	
Approved by	
Approval date	
Doc. status	
Drawing N. D17 705	Rev 01